

CVU

HORIZONTAL, CENTRIFUGAL, MULTI-STAGE PUMPS

APPLICATION

- primary and secondary water stations
- booster stations to increase the pressure in the water systems
- water supply systems in a wide range of industrial branches
- pumping in heating plants
- agriculture as pumping stations for large-area irrigation systems

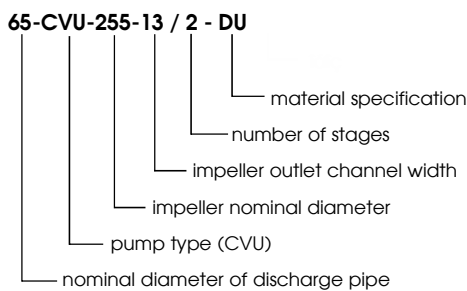
WORKING CONDITIONS

- drinking, pure or utility water containing soluble compounds
- medium temperature up to +80°C
- pH 6 - 11



CVU

TYPE IDENTIFICATION

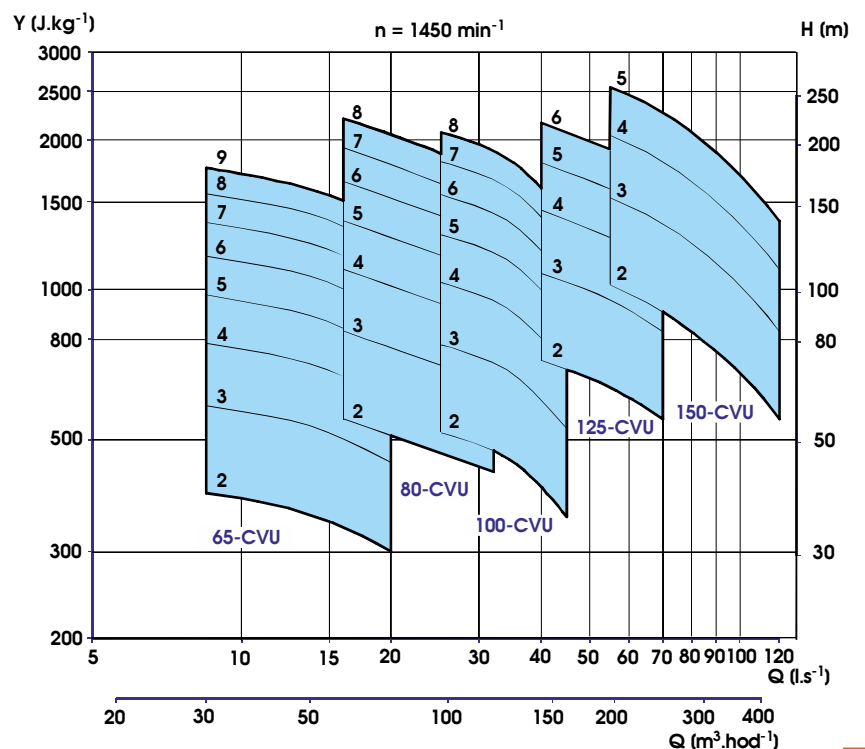


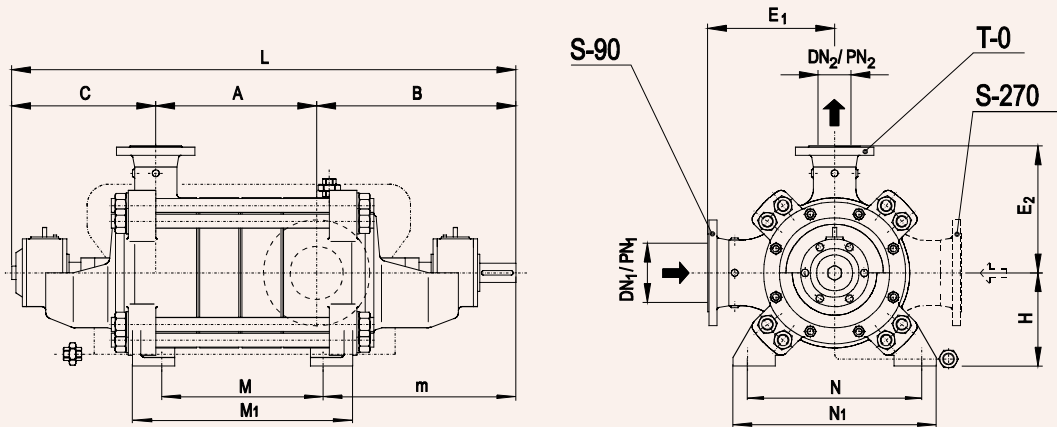
WORKING AREA

PUMP SIZE	SHAFT SPEED (r.p.m.)	FLOW Q (l/s)	DELIVERY HEAD H (m)	TEMPERATURE MAX. (°C)
65-CVU-255-13/2 ÷ 9	1450	13,9	180	80
80-CVU-300-14/2 ÷ 8	1450	22,2	220	80
100-CVU-300-19/2 ÷ 8	1450	34,7	210	80
125-CVU-350-22/2 ÷ 6	1450	55,6	210	80
150-CVU-400-25/2 ÷ 5	1450	87,5	220	80

MATERIAL SPECIFICATION

Part name	DU
suction body	1.0625
impeller body	1.0625
discharge body	1.0625
transducer	X20Cr14 (DIN)
diffuser	X20Cr14 (DIN)
impeller	X20Cr14 (DIN)
seal ring	3346-HM
shaft	1.0503
tightening bolt	1.5122
bearing body	EN-GJL-250



BASIC DIMENSIONS


Size	Number of stages	Discharge Pipe		Pump dimensions											
		DN1/PN1	DN2/PN2	A	B	C	E1	E2	H	L	M	M1	N	N1	m
65-CVU-255-13	2	125/16	65/40	280	470	340	300	300	220	1090	300	420	400	480	445
	3	125/16	65/40	380	470	340	300	300	220	1190	400	520	400	480	445
	4	125/16	65/40	480	470	340	300	300	220	1290	500	620	400	480	445
	5	125/16	65/40	580	470	340	300	300	220	1390	600	720	400	480	445
	6	125/16	65/40	680	470	340	300	300	220	1490	700	820	400	480	445
	7	125/16	65/40	780	470	340	300	300	220	1590	800	920	400	480	445
	8	125/16	65/40	880	470	340	300	300	220	1690	900	1020	400	480	445
	9	125/16	65/40	980	470	340	300	300	220	1790	1000	1120	400	480	445
	80-CVU-300-14	2	150/16	80/40	310	475	350	350	350	240	1135	340	460	480	560
3		150/16	80/40	420	475	350	350	350	240	1245	450	570	480	560	445
4		150/16	80/40	530	475	350	350	350	240	1355	560	680	480	560	445
5		150/16	80/40	640	475	350	350	350	240	1465	670	790	480	560	445
6		150/16	80/40	750	475	350	350	350	240	1575	780	900	480	560	445
7		150/16	80/40	860	475	350	350	350	240	1685	890	1010	480	560	445
8		150/16	80/40	970	475	350	350	350	240	1795	1000	1120	480	560	495
100-CVU-300-19		2	200/10(16)	100/40	355	490	330	350	350	260	1175	410	530	480	570
	3	200/10(16)	100/40	475	490	330	350	350	260	1295	530	650	480	570	435
	4	200/10(16)	100/40	595	490	330	350	350	260	1415	650	770	480	570	435
	5	200/10(16)	100/40	715	490	330	350	350	260	1535	770	890	480	570	435
	6	200/10(16)	100/40	835	490	330	350	350	260	1655	890	1010	480	570	435
	7	200/10(16)	100/40	955	490	330	350	350	260	1775	1010	1130	480	570	435
	8	200/10(16)	100/40	1075	490	330	350	350	260	1895	1130	1250	480	570	435
	125-CVU-350-22	2	200/10(16)	125/40	415	580	440	400	400	315	1435	465	615	580	680
3		200/10(16)	125/40	560	580	440	400	400	315	1580	610	760	580	680	535
4		200/10(16)	125/40	705	580	440	400	400	315	1725	755	905	580	680	535
5		200/10(16)	125/40	850	580	440	400	400	315	1870	900	1050	580	680	535
6		200/10(16)	125/40	995	580	440	400	400	315	2015	1045	1195	580	680	535
150-CVU-400-25		2	250/10(16)	150/40	460	645	460	450	450	355	1565	555	695	680	800
	3	250/10(16)	150/40	620	645	460	450	450	355	1725	715	855	680	800	570
	4	250/10(16)	150/40	780	645	460	450	450	355	1885	875	1015	680	800	570
	5	250/10(16)	150/40	940	645	460	450	450	355	2045	1035	1175	680	800	570

SEAL DESIGN

- shaft sealed to prevent leakage on both suction and discharge ends using a packing
 - non-flooded packing (for pure water)
 - flooded from foreign source (for polluted water)
- types of seals
 - soft cord packing
 - single mechanical seal (balanced, unbalanced)

MOTORS

- foot-mounted electric motor drive
- driving force transmitted using a flexible coupling
 - flexible coupling without a spacer
 - flexible coupling with a spacer